



High-frequency transformer

ER25 Series

Parameters/Dimensions:

ER25 Type 1

Information:

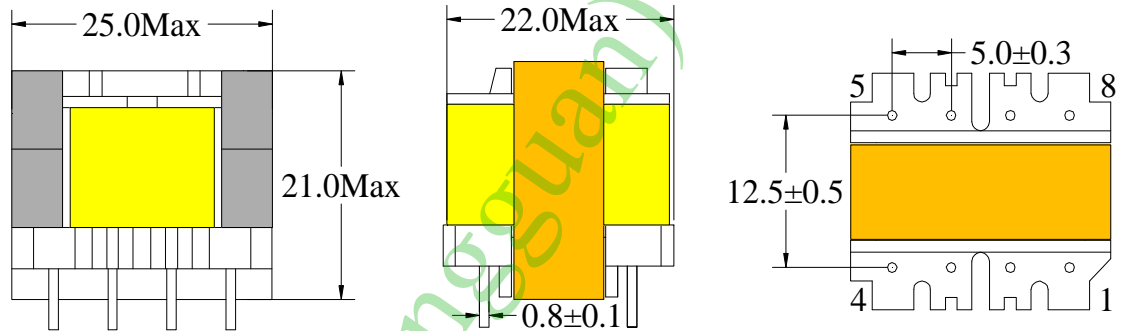
Shape:ER25

1 Power:25W

2 Mounting Orientation: Vertical

3 Size: 25 (W) * 22 (L) * 21 (H)

4 Effective Ae (mm²): 55.0



Note:

Bobbin type listed in the traditional style, transformer design parameters to customer needs or to inject prevail.

ER series high-frequency transformer features:

Coupled good location, in the column for the round, easy winding and winding area increases, can be designed to power large and small leakage inductance of the transformer.

Uses:

TV power supply, display, switching power supply, navigation, LED power supply